

Dual Channel High Voltage Isolation Modules

Jansum is Dual Channel High Voltage Isolation Modules manufacturers and suppliers in China who can wholesale Dual Channel High Voltage Isolation Modules. We can provide professional service and better price for you.

Model:H12C06SH

Buy Discount Quality Dual Channel High Voltage Isolation Modules with made in China. Jansum is a Dual Channel High Voltage Isolation Modules manufacturer and supplier in China.

Feature

Comply with RoHS requirements.

Operating temperature range: -40°C to +125°C.

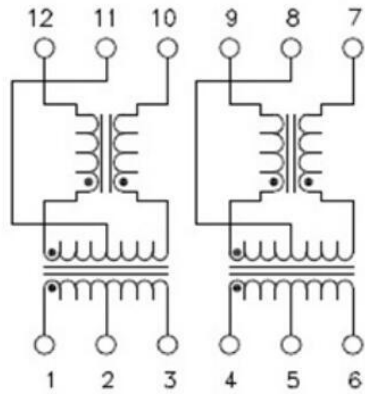
Storage temperature range: -40°C to +125°C. Clearance distance: >20mm.

Creepage distance: >22mm.

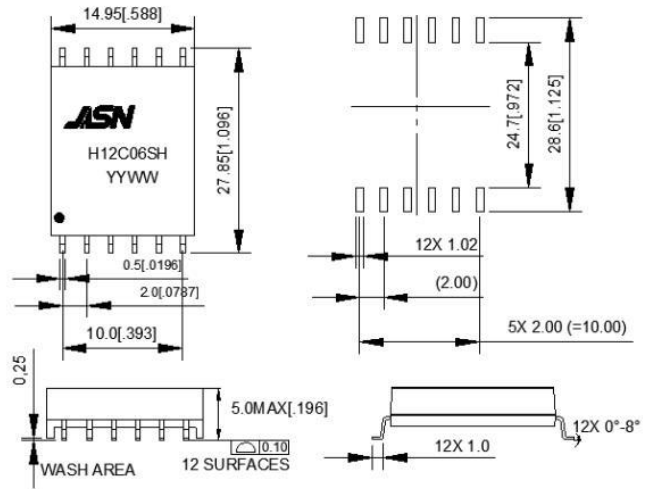
Electrical Specifications @ 25°C

OCL:	300uH Min. @100KHz/0.1V @ -40°C TO +125°C
Hi-POT :	6220VDC/1mA/60Sec
Turn Ratio:	1CT:1CT±2%
LK:	0.5uH Max @100KHz/0.1V
D.C.R:	(1-3,4-5) 0.7 ohm Max
	(7-9,10-12) 0.85 ohm Max
Insertion Loss:	4MHz: -0.25dB Max
Return Loss:	4MHz: -20dB Min
Cross Talk :	4MHz: -50dB Min
CMR:	1-10MHz: -30dB typ
	10-400MHz: -20dB typ
Insulation Resistance:	400MΩ/250Vds Min

Schematic



Mechanical



1. Unless otherwise specified, all tolerances are ± 0.25 [01]
2. Coplanarity: 0.1 [004]
3. Unit mm