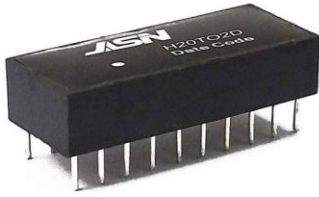


100M Ethernet Transformer



High quality 100M Ethernet Transformer is offered by China manufacturer JASN Electronics. H20T02D is a small size of DIP 20Pin Seires.

Model:H20T02D

JASN is a professional leader China 100M Ethernet Transformer manufacturer with high quality and reasonable price. Welcome to contact us.

Feature

Compliant with IEEE 802.3u standard.

Comply with RoHS requirements.

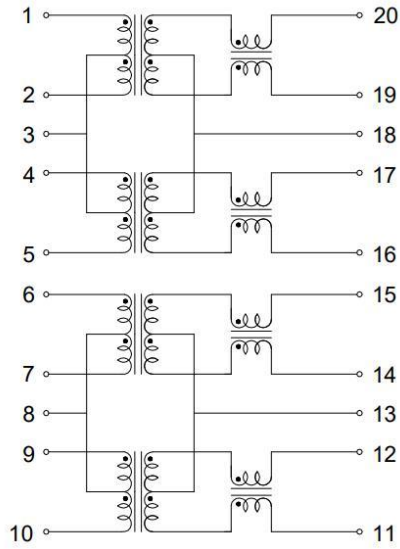
Operating temperature range: 0°C to +70°C.

Storage temperature range: -25°C to +105°C.

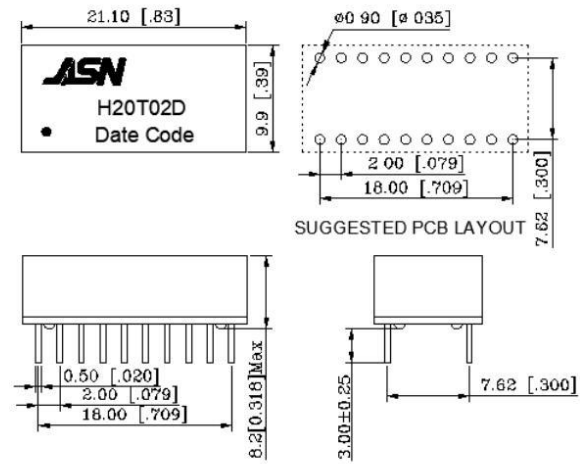
Electrical Specifications @ 25°C

OCL:	350uH Min. @100KHz/0.1V with 8mA DC Bias				
Hi-POT :	1500Vrms				
Turn Ratio:	1:1±3%				
LK:	0.5uH Max @100KHz/0.2V				
Cw/w	65PF Max @100KHz/0.2V				
D.C.R:	1.2 ohm Max				
Insertion Loss:	1-100MHz: -1.0dB Max				
Cross Talk :	1-100MHz: -30dB Min				
Return Loss:	1-30MHz	40MHz	50MHz	60-80MHZ	80-100MHZ
	-18dB Min	-14.4dB Min	-13.1dB Min	-12dB Min	-10dB Min

Schematic



Mechanical



Unless otherwise specified, all tolerances are ± 0.25